

# Receiver Hitch & Towing System

## Quic 'n Easy™ Receiver Hitch & Quic-Cush'n II Towing System



**Does your Hitch need an upgrade?**

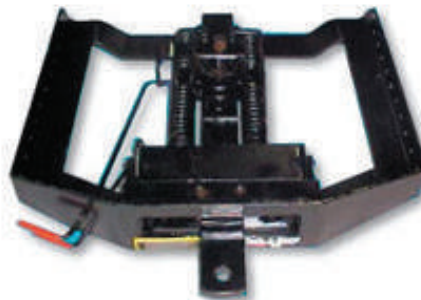
**Quic 'n Easy**



**Quic 'n Easy**

- Extends to 7".
- Swings to 12".
- Fits under OEM truck bumper.
- Convenient, easy-to-use receiver release handles.
- Unique spring "Cush'n" package takes the push/pull out of towing, reduces wear on the brakes, transmission and differential.
- Tow whatever your truck is rated to tow.
- Exceeds Class IV certification.
- Exclusive "Proximity Hook-Up", so one person gets it right the first time.

**Cush'n Combo**



**QUIC-CUSH'N II**



**Quic-Cush'n II**

- Recessed roller mechanism – prevents towbar hang-ups when centering, on heavy loads, eliminates wear
- Towbar release handles – convenient access, easy to use, no more kneeling in the mud to gain access.
- Full-range spring package – cushioned towing for a full range of loads, won't lock up with rust.
- Bumper step pads – extra protection and improved appearance, standard in chrome, painted finish optional.

Call with your  
Year, Make & Model  
to get a hitch quote  
today.

Part No.	Description
47077912	Solid 2" Receiver



# Soil Probes & Accessories

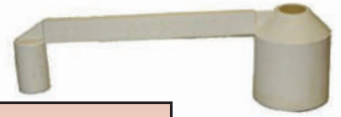
## Hitch Pins

Part No.	Size	Length
HR34	3/4"	6 3/4"
HR78	7/8"	6 3/4"
HR09	Replacement Clip for 3/4" & 7/8"	-
HR100H	1"	7 1/2"
68880	Replacement Clip for 1"	-



## Density Scale

Part No.	Description
T31697	Density Scale



## Stainless Steel Hinged Soil Probe

Part No.	Description
SP1000	8" depth
SP3000	12" depth



## Density Scale

Part No.	Description
FE8000	Density Scale



## Soil Probe

Part No.	Description
SP2000	Soil Probe



Part No.	Description
WR22432	Jack Assy.
WR21126	Gear Kit
WR21127	Crank Repair Kit
WR23464	Pull Pin Assy. w/ Chain
WR22428	Mounting Plate
AG719740	Groove Pin
WR21130	Drop Leg Assy.
520254D1	Jack N/S

Part No.	Description
TO1040	Bulldog Jack - Short
BDJ-170	Bulldog Jack - Long



Part No.	Description
BDJ-150P	Bulldog Jack - Short/pipe Wt.
DMW76005	Bulldog Jack - Long/pipe Mt.

Part No.	Description
520254D1	2 1/4" x 2 1/4" Jack



Part No.	Description
T5810	4x4 Jack



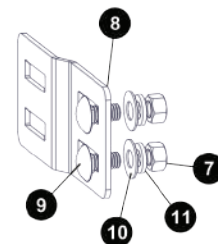
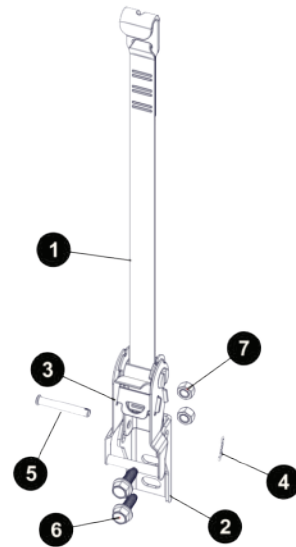
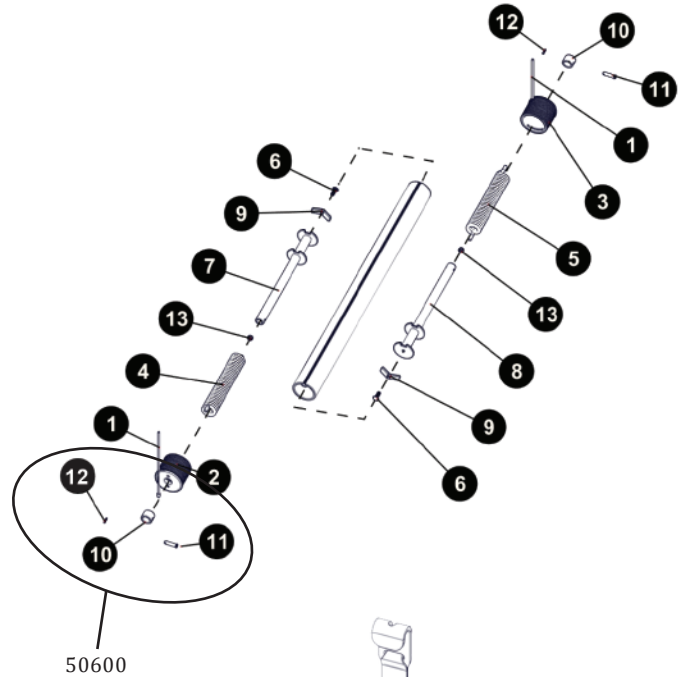
Part No.	Description
32230000	Jack Assy.



# Agri-Cover Roll Tarp Systems

Replace both spools on systems manufactured **prior to December 2018**. PN 4000225 and 4000226 do not require o-ring or grease.

CABLES		
Item	PN	Description
1	10941	139" Cable (up to 103" wide box) (stainless steel)
	80046	Cable (104-120" wide box) (stainless steel)
SPOOLS		
	4003691	3-1/2" Left and Right Spool Replacement Kit
2	4000225	3-1/2" Left Spool ("L" mark)
3	4000226	3-1/2" Right Spool ("R" mark)
SPRINGS		
4	40983	Left Spring (black powder coat)
5	40982	Right Spring (red powder coat)
CARTRIDGES		
	40835	15" Right Cartridge Kit (red powder coat)
	40812	15" Left Cartridge Kit (black powder coat)
6	40961	5/16" x 1" Zinc Plated Carriage Bolt
7	10607	15" Left Cartridge (black powder coat)
8	10608	15" Right Cartridge (red powder coat)
9	10331	Cartridge Clamp
10	10734	15" Cartridge Spacer
11	4000962	5/16" x 1-1/2" Stainless Steel Clevis Pin
12	90806	3/32" x 1/2" Stainless Steel Split Cotter Pin
13	60067	5/16" Zinc Plated Nylock Hex Nut
10-12	50600	15" Cartridge Spacer, Cotter & Clevis Pins

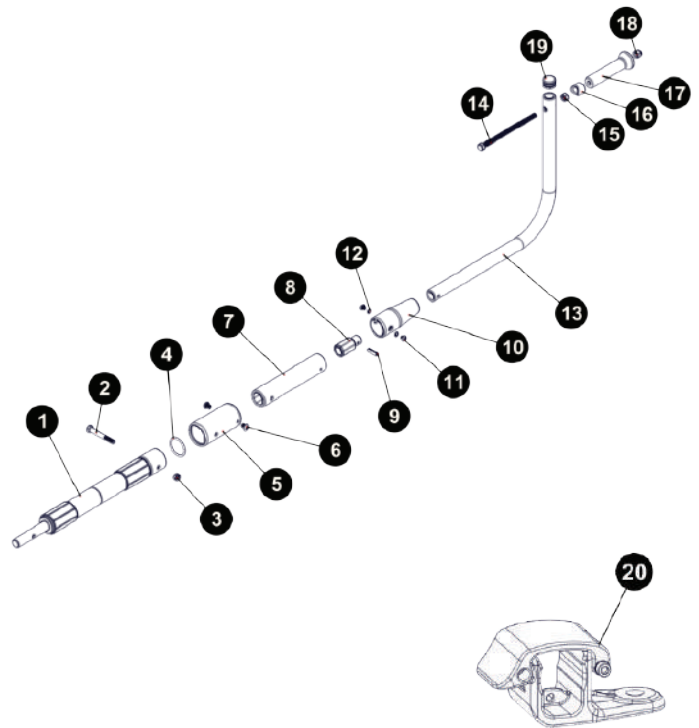


CABLE RATCHET AND STRAP (1" WIDE)		
Item	PN	Description
	80043	Ratchet Kit (stainless steel)
1	70989	Ratchet Strap w/ Hook (stainless steel)
2	4001026	Ratchet Bracket (stainless steel)
3	70515	1" Tie-Down Ratchet (stainless steel)
4	4001028	3/16" x 1/4" Stainless Steel Bow-Tie Cotter Pin
5	4001027	5/16" x 2" Stainless Steel Clevis Pin
6	10927	3/8" x 1" Stainless Steel Hex Bolt
7	10928	3/8" Stainless Steel Hex Nut
	4003907	Offset Ratchet Bracket Kit (stainless steel)
8	4003906	Offset Ratchet Bracket (stainless steel)
9	4003905	3/8" x 3/4" Stainless Steel Carriage Bolt
10	10930	3/8" Stainless Steel Flat Washer
11	10929	3/8" Stainless Steel Lock Washer

# Agri-Cover Roll Tarp Systems

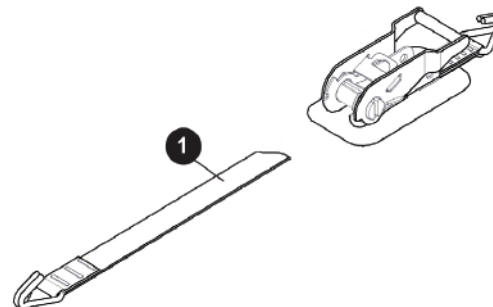
## CRANK HANDLES WITH FLEX DRIVE

Item	PN	Description
	4000930	Short Crank Handle w/ Flex Drive Kit (4' extends to 6' 8")
	4000931	Long Crank Handle w/ Flex Drive Kit (6' 2" extends to 11' 1")
	4000932	Extra Long Crank Handle w/ Flex Drive Kit (7' 5" extends to 12' 4")
	4000923	Short Crank Handle Kit (3' 10" extends to 6' 7")
	4000924	Long Crank Handle Kit (6' extends to 10' 11")
	4000925	Extra Long Crank Handle Kit (7' 3" extends to 12' 2")
1	60937	Flex Drive
2	4000929	5/16" x 2-1/2" Stainless Steel Hex Bolt
3	60067	5/16" Zinc Plated Nylock Hex Nut
4	4000888	Rubber Seal O-Ring
5	4000922	Flex Drive Adapter
6	4000884	5/16" x 3/8" Stainless Steel Allen Button Head Bolt
7	4000918	Short Upper Crank Handle (33" long) (aluminum)
	4000919	Long Upper Crank Handle (59" long) (aluminum)
8	4000893	Crank Slide Kit
9	4000885	1/4" Dia. x 1" Stainless Steel Coiled Roll Pin
10	4000894	Crank Slide
11	4001031	1/4" x 1/4" Stainless Steel Allen Button Head Bolt
12	4001030	1/4" Stainless Steel High Collar Lock Washer
	4000895	Short Lower Crank Handle (46" long) (aluminum)
13	4000896	Long Lower Crank Handle (72" long) (aluminum)
	4000897	Extra Long Lower Crank Handle (87" long) (aluminum)
14	4000886	3/8" x 6" Stainless Steel Hex Bolt
15	10928	3/8" Stainless Steel Hex Nut
16	4000892	Handle Spacer
17	60318	Handle Grip
18	60451	3/8" Stainless Steel Nylock Hex Nut
19	4000887	1" Nylon Plug
20	4003646	Handle Holder Kit



## RIDGE STRAP ASSEMBLY (1" WIDE)

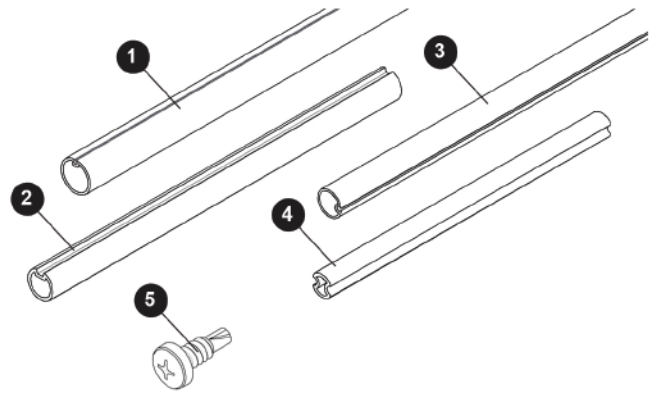
Item	PN	Description
	50428	Ridge Strap Kit (up to 10' long box) (stainless steel)
	40962	Ridge Strap Kit (up to 12' long box) (stainless steel)
	40963	Ridge Strap Kit (up to 18' long box) (stainless steel)
	50008	Ridge Strap Kit (up to 24' long box) (stainless steel)
1	70557	Ridge Strap Kit (up to 36' long box) (stainless steel)
	70585	Ridge Strap Kit (up to 42' long box) (stainless steel)
	70613	Ridge Strap Kit (up to 50' long box) (stainless steel)
	70641	Ridge Strap Kit (up to 54' long box) (stainless steel)
	90793	Ridge Strap Kit (up to 60' long box) (stainless steel)



# Agri-Cover Roll Tarp Systems

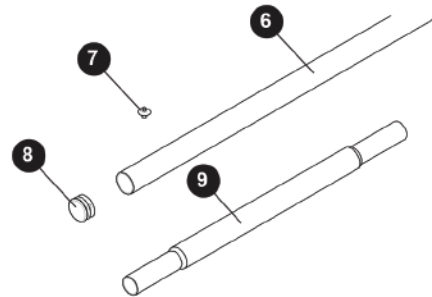
## 3" ALUMINUM ROLL TUBE AND SPLICE

Item	PN	Description
1	90956T096	8' Roll Tube (3") (aluminum)
	90956T186	15' 6" Roll Tube (3") (aluminum)
	90956T234	19' 6" Roll Tube (3") (aluminum)
	90956T282	23' 6" Roll Tube (3") (aluminum)
	90956T324	27' 6" Roll Tube (3") (aluminum)
2	50064	24" Splice Tube (3" aluminum roll tube)
	30673	Rivet Kit (3" aluminum roll tube)
5	60640	1/4" x 3/4" Zinc Plated Self-drilling Phillips Screw



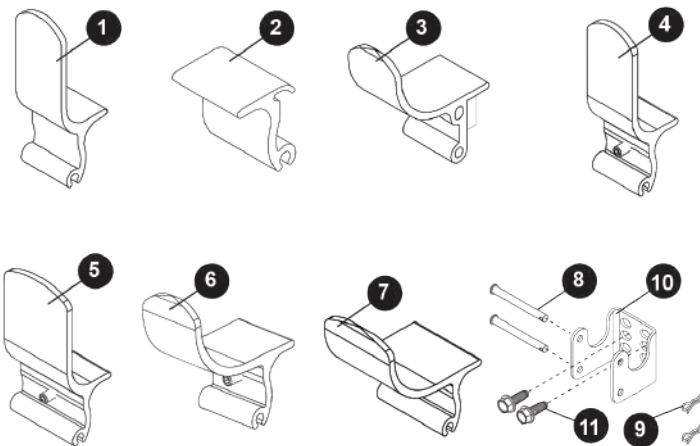
## 1-1/8" ALUMINUM STATIONARY TUBE

Item	PN	Description
6	3000125T096	8' Stationary Tube (1-1/8") (aluminum)
	3000125T192	16' Stationary Tube (1-1/8") (aluminum)
	3000125T240	20' Stationary Tube (1-1/8") (aluminum)
	3000125T288	24' Stationary Tube (1-1/8") (aluminum)
7	60786	3/16" x 1/4" Drive Rivet (black)
8	4001687	Plastic Plug (1-1/8")
9	4003243	8' Stationary Tube (1-1/8") (aluminum) (swedged)
	4001685	16' Stationary Tube (1-1/8") (aluminum) (swedged)
	4001684	20' Stationary Tube (1-1/8") (aluminum) (swedged)
	4001686	24' Stationary Tube (1-1/8") (aluminum) (swedged)



## TARP STOP

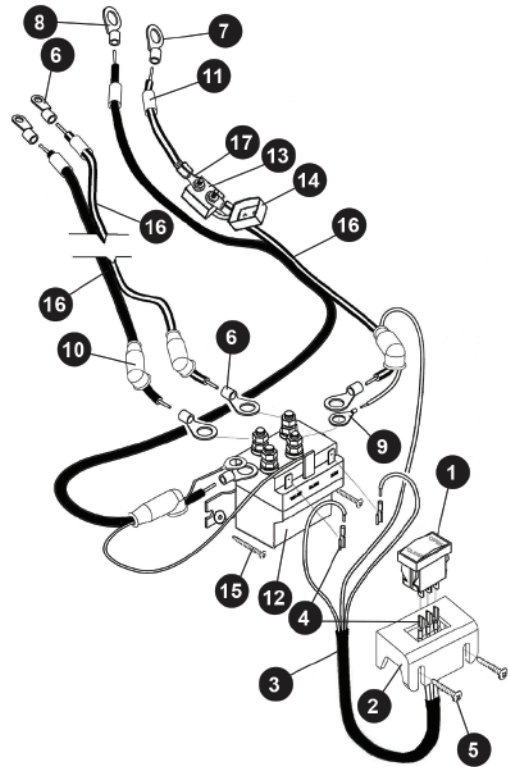
Item	PN	Description
	50572	Quick Release Aluminum Tarp Stop Kit (tall) (powder coated upright w/ stainless steel base)
	50559	Quick Release Aluminum Tarp Stop Kit (short) (powder coated upright w/ stainless steel base)
	50584	Quick Release Aluminum Tarp Stop Kit (4.5" offset) (powder coated upright w/ stainless steel base)
	90599	Quick Release Aluminum Tarp Stop Kit (tall w/ set screw) (powder coated upright w/ stainless steel base)
	90553	Wide Quick Release Aluminum Tarp Stop Kit (tall w/ set screw) (powder coated upright w/ stainless steel base)
	90614	Quick Release Aluminum Tarp Stop Kit (4.5" offset w/ set screw) (powder coated upright w/ stainless steel base)
	90583	Wide Quick Release Aluminum Tarp Stop Kit (4.5" offset w/ set screw) (powder coated upright w/ stainless steel base)
1	70332	Quick Release Aluminum Upright (tall) (powder coated)
2	70334	Quick Release Aluminum Upright (short) (powder coated)
3	70336	Quick Release Aluminum Upright (4.5" offset) (powder coated)
4	90578	Quick Release Aluminum Upright (tall w/ set screw) (powder coated)
5	90562	Wide Quick Release Aluminum Upright (tall w/ set screw) (powder coated)
6	90584	Quick Release Aluminum Upright (4.5" offset w/ set screw) (powder coated)
7	90592	Wide Quick Release Aluminum Upright (4.5" offset w/ set screw) (powder coated)
8	90241	5/16" x 3" Stainless Steel Clevis Pin
9	90248	5/8" x 1-13/32" Stainless Steel Bow-Tie Cotter Pin
10	70282	Quick Release Base (stainless steel)
	90536	Wide Quick Release Base (stainless steel)
11	10927	3/8" x 1" Stainless Steel Hex Bolt



# Agri-Cover Roll Tarp Systems

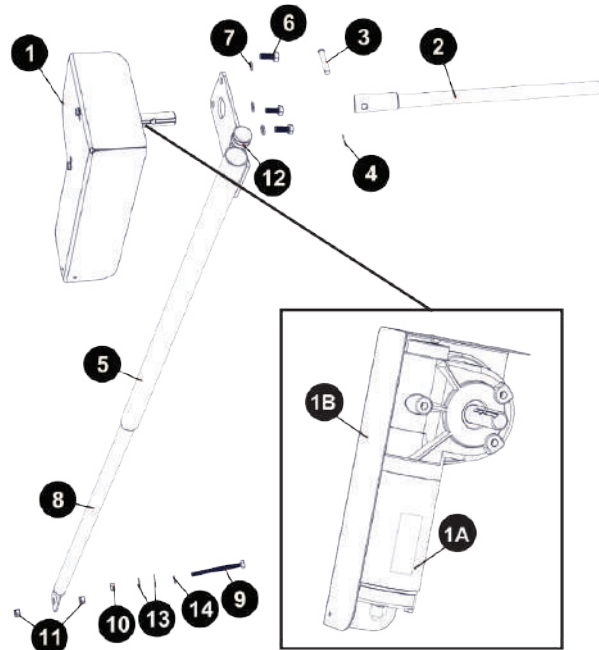
## ELECTRIC WIRING KIT

Item	PN	Description
	70476	12V Rocker Switch Kit (switch, 14 ga. wire, solenoid w/ hardware)
1	40649	12V Rocker Switch
2	40673	Toggle Switch Mounting Bracket
3	40653	3 Conductor 14 Ga. Wire (per lin. in.)
4	70428	14 Ga. Push on Female Terminal
5	10914	#14 x 1" Zinc Plated Self-drilling Phillips Screw
6	60598	1/4" 4 Ga. Terminal Ring (for solenoid)
7	60543	1/2" 4 Ga. Terminal Ring for Battery Post (+)
8	60570	3/8" 4 Ga. Terminal Ring for Battery Post (-)
9	70446	1/4" 14 Ga. Terminal Ring (for solenoid)
10	70278	2 Ga. Terminal Boots
11	30649	Heat Shrink Tube Kit (set of 10)
12	70498	12V Motor Reversing Solenoid w/ Jump Wire
13	10739	12V 40 Amp Automatic Circuit Breaker
14	30648	Red Breaker Cover
15	70298	#10 x 1" Zinc Plated Self-drilling Phillips Screw
16	20046	2 Strand 6 Ga. Wire (per lin. ft.)
17	80334	5/16" 4 Ga. Terminal Ring (motor terminals)
	40664	7/16" Inner Dia. Rubber Grommet (for 14 ga. wire)



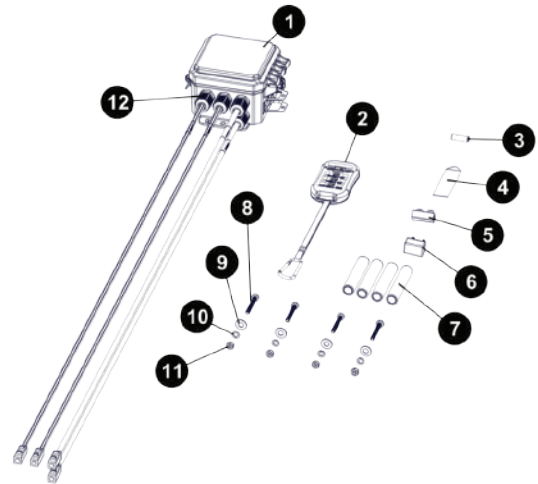
## SRT-2 ELECTRIC TARP CONVERSION

Item	PN	Description
	80278	SRT-2 Electric Tarp Conversion - Control Box and Remote, Trailer Up to 103" Wide (30' of wire & dual pole connector) (stainless steel)
	90041	SRT-2 Electric Tarp Conversion - Switch Control, Trailer Up to 103" Wide (30' of wire & dual pole connector) (stainless steel)
	60111	SRT-2 Electric Tarp Conversion - Cab Operated, Trailer Up to 103" Wide (30' of wire & dual pole connector) (stainless steel)
	80199	SRT-2 Electric Tarp Conversion - Control Box and Remote, Box w/o Hoist (30' of wire) (stainless steel)
	90027	SRT-2 Electric Tarp Conversion - Switch Control, Box w/o Hoist (30' of wire) (stainless steel)
	50971	SRT-2 Electric Tarp Conversion - Cab Operated, Box w/o Hoist (30' of wire) (stainless steel)
	80313	SRT-2 Electric Tarp Conversion - Control Box and Remote, Box w/ Hoist (75' of wire) (stainless steel)
	90046	SRT-2 Electric Tarp Conversion - Switch Control, Box w/ Hoist (75' of wire) (stainless steel)
	40890	SRT-2 Electric Tarp Conversion - Cab Operated, Box w/ Hoist (75' of wire) (stainless steel)
1	50676	12V Motor w/ Cover (SRT-2)
1A	4000046	12V Replacement Motor Kit (excludes worm gear) (SRT-2)
1B	90161	Motor Cover (w/ hardware)
2	10333	Motor Extension Shaft (14" powder coated) (SRT-2)
3	4000962	5/16" x 1-1/2" Stainless Steel Clevis Pin
4	90806	3/32" x 1/2" Stainless Steel Split Cotter Pin
5	10774	Upper Pivot Arm w/ Motor Mount (30" long)
6	40941	5/16" x 3/4" Stainless Steel Hex Bolt
7	10922	5/16" Stainless Steel Lock Washer
8	40989	Lower Pivot Arm (60" long) (stainless steel)
9	4000083	3/8" x 4" Stainless Steel Hex Bolt
10	10928	3/8" Stainless Steel Hex Nut
11	60451	3/8" Stainless Steel Nylock Hex Nut
12	10124	1" Nylon Plug
13	10930	3/8" Stainless Steel Flat Washer
14	10929	3/8" Stainless Steel Lock Washer
	4002903	Coiled Cable Kit (up to 103" wide)

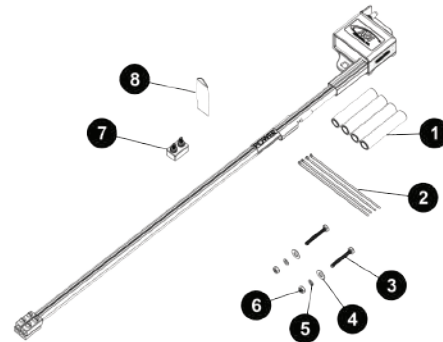


# Agri-Cover Roll Tarp Systems

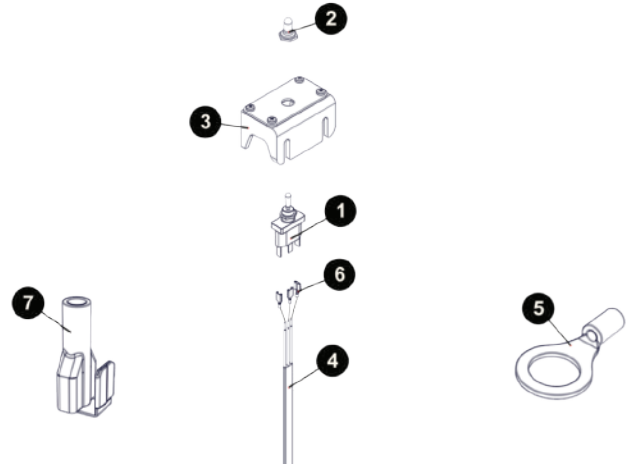
AGRI-COVER CONTROL BOX AND REMOTE		
Item	PN	Description
	4000703	AGRI-COVER Control Box and Remote Kit
1	4000702	Control Box
2	4000711	Remote Control
3	4004273	9V Battery
	4000715	A23 Battery
4	70929	Dielectric Grease Packet
5	4000542	Butt Connector (4 & 6 ga. wire)
6	80285	12V 50 Amp Automatic Circuit Breaker
7	4000535	3/4" Black Adhesive Lined Heat Shrink (3-1/2" long)
8	4000543	1/4" x 1-3/4" Stainless Steel Hex Bolt
9	60987	1/4" Stainless Steel Flat Washer
10	50615	1/4" Stainless Steel Lock Washer
11	80809	1/4" Stainless Steel Hex Nut
12	4000532	Strain Relief



AGRI-COVER SWITCH CONTROL		
Item	PN	Description
	4003597	AGRI-COVER Switch Control Kit
1	4000535	3/4" Black Adhesive Lined Heat Shrink (3-1/2" long)
2	80024	6" Cable Tie
3	4000543	1/4" x 1-3/4" Stainless Steel Hex Bolt
4	60987	1/4" Stainless Steel Flat Washer
5	50615	1/4" Stainless Steel Lock Washer
6	80809	1/4" Stainless Steel Hex Nut
7	80285	12V 50 Amp Automatic Circuit Breaker
8	70929	Dielectric Grease Packet
	4003929	AGRI-COVER Tether Switch Kit (20' of wire)



SEALED TOGGLE SWITCH (WITH CAB WIRED SWITCH ONLY)		
Item	PN	Description
	70520	12V Sealed Toggle Switch Kit (switch, sealed boot, mount bracket, 10 ft. of 14 ga. wire & connectors)
1	70438	Toggle Switch
2	70442	Sealed Toggle Boot
3	70500	Toggle Switch Mounting Bracket Kit
4	40653	3 Conductor 14 Ga. Wire (per lin. in.)
5	40670	5/16" 14 Ga. Terminal Ring
6	40661	1/4" 14 Ga. Push On Female Terminal
7	70516	1/4" 14 Ga. Push On Female Piggyback Terminal



MISCELLANEOUS		
PN	Description	
10909	3/16" x 1/2" Pop Rivet	
10907	1/4" Drive Rivet	
10282	1-1/8" D-Ring	
80055	AGRI-COVER Bow Cover (up to 103" wide box)	
80188	Heavy Gauge Wire Splice Kit (2 connectors)	
80388	AGRI-COVER Tarp Safety Cords (bungee) (84-103" wide box) (set of 2)	
90613	ROLLECTION Tarp Safety Cords (synthetic) (84-103" wide box) (set of 2)	

# Agri-Cover Roll-Top Tarps



## SRT-2™ Spool Roll Tarps

### Features

- Fast and easy installation
- Comes standard with arched 7" galvanized steel end caps, bows and ridge strap (as pictured)
- Steel components are zinc plated
- The tarp is made of heavy-duty double coated fabric
- Tarp color is available in white, black, gray, blue, red, orange, yellow, green and brown
- Quick release brackets allows for easy tarp removal



## SRT-2 Electric Spool Roll Tarps

### Features

- From the comfort of your cab enjoy the convenience and safety of the SRT-2 Electric.
- With the touch of a cab mounted switch SRT-2 Electric operates smoothly and quietly, opening to any position desired and closing securely.
- The tarp remains secure during the rolling operation even in windy conditions.
- Excellent quality, very dependable, fast, attractive, and economical to own.

### Willmar SRT-2 Spool Roll Tarps

Part No.	Description
SRT2-92-120-SS-M	Rolltarp-Manual SS End Caps S600/S800
SRT2-96-120-SS	Rolltarp-Electric SS End Caps
SRT2-96-144-SS	Rolltarp-Electric SS End Caps LRR10
SRT2-96-144-SS-M	Rolltarp-Manual SS End Caps LRR10
SRT2-96-192-SS	Rolltarp-Electric SS End Caps LR16
SRT2-96-192-SS-M	Rolltarp-Manual SS End Caps LR16
SRT2-96-288-SS	Rolltarp-Electric SS End Caps 24T
SRT2-96-288-SS-M	Rolltarp-Manual SS End Caps 24T

### Doyle SRT-2 Spool Roll Tarps

Part No.	Description
DTARP5/6TON	Doyle 5 & 6 Ton Spreader
DTARP6TONNT	Doyle 6 Ton Narrow Track Spreader
DTARP8TON	Doyle 8 Ton Spreader
DTARP16-E	Doyle 16 Ton Tender- Electric
DTARP16-12	Doyle 16 Ton Tender- Manual
DTARP24-12BE	Doyle 24 Ton Tender- Electric (Truck Mount)
DTARP24-12GE	Doyle 24 Ton Tender- Electric (Trailer Mount)
DTARP24-12E	Doyle 24 Ton Tender- Manual

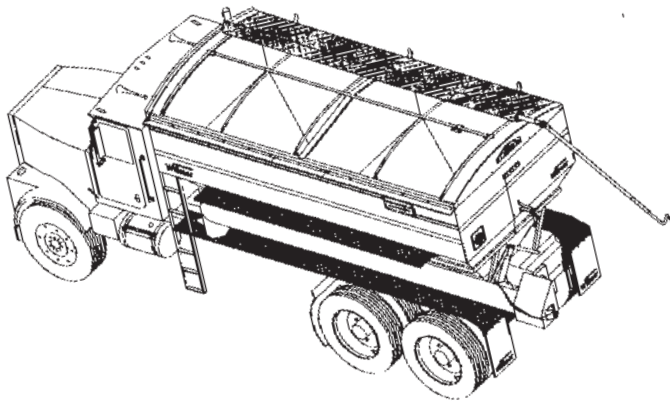


# Fitted Tarps | Shurco Roll Tarps



The fitted tarps listed below are made of 16 oz. vinyl coated polyester fabric. They include grommets and shock cord and have a standard drop of 6". The color we stock is listed next to the model of spreader it fits. **Please call for any tarp requirements not listed on this page**, or if you desire an alternate to the color listed below. Box size is required for pricing.

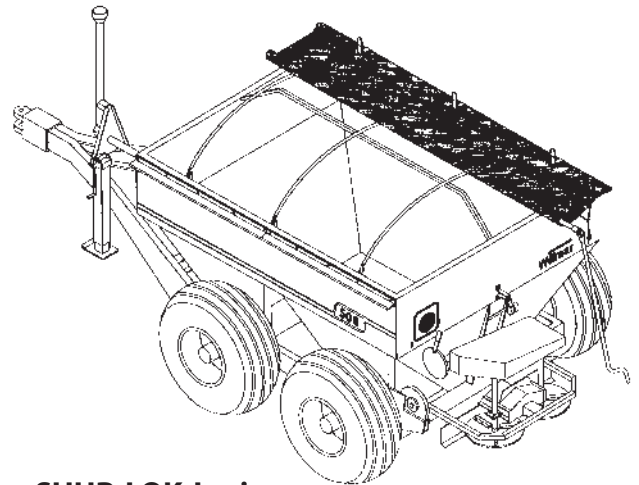
Fitted Tarps		
Part No.	Size	Model
17471	92" x 96"	S500 Willmar Spreader-Black
17469	92" x 120"	S600/S800 Willmar Spreader-Black
17474	96" x 144"	S365/S265 Willmar Tender-Black
17475	96" x 192"	LR16 Willmar Tender-Black
SRT10268	600' Rolls	Shock Cord



## SHUR-LOK

Original roll tarp comes standard with aluminum end caps and tarp stops — for when speeds exceed 35 miles per hour. For fertilizer tenders, grain trucks and other rolling stock.

Shur-Lok	
Part No.	Shur-Lok Original
WCSL-10	10' Length
WCSL-11	11' Length
WCSL-12	12' Length
WCSL-13	13' Length
WCSL-14	14' Length
WCSL-16	16' Length
WCSL-24	24' Length

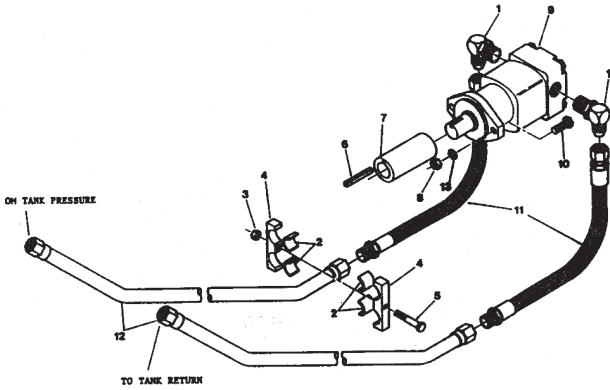


## SHUR-LOK Junior

For when speeds do not exceed 35 miles per hour. For fertilizer spreaders and gravity boxes.

Shur-Lok Junior	
Part No.	Shur-Lok Original
WC1208	8' Length (S500)
WC1201	10' Length (S600-S800)
WC1211	11' Length
WC1212	12' Length
WC1213	13' Length
WC1214	14' Length
WC1215	15' Length

# Willmar Tender Auger Parts Breakdown

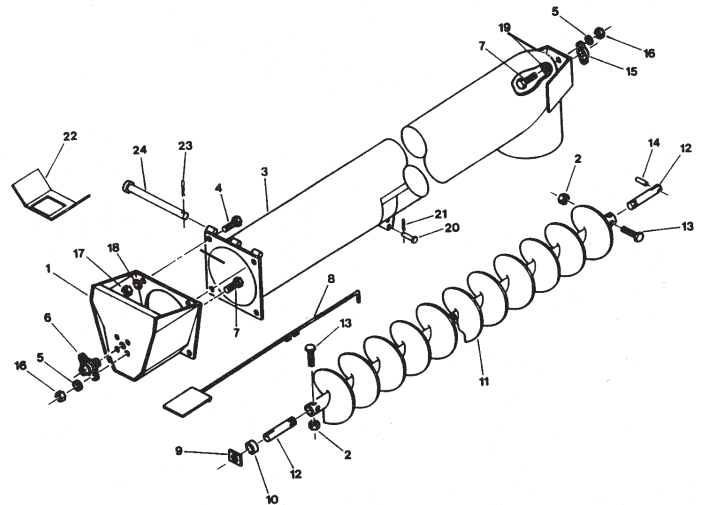


## 10" Rear Auger Assembly

Item	Part No.	Req'd	Description
1	WR23814	1	Auger Box - 8 - 10 Ton Tender
	WR25614	1	Auger Box - 16 Ton Tender
2	10163	4	Center Lock Nut, 3/8" - 16 UNC
3	538239D1	1	Auger Housing, 21' 1600
	538240D1	1	Auger Housing, 19' 1600 SS
	WR25540	1	Auger Housing, 19' SS LR10 & LR16
4	WR10138	4	Cap Screw, 3/8" - 16 M/S x 1" Lg (Grade 5)
5	AG550558	6	Lockwasher, 7/16" ID
6	WR10649	1	4 Hole Flange Bearing, 1 1/4" Bore
7	AG559989	6	Cap Screw, 7/16" UNC x 1 1/4" Lg (Grade 5)
8	WR23807	1	Clean Out Gate
9	WR17734	1	Ryertex Spacer
10	WR10433	1	Machine Bushing, 1 1/4" ID
11	506656D1	1	SS Auger Screw Assy. 19' Splined
	506655D1	1	SS Auger Screw 21' Splined
	WR22680	1	MS Auger Screw 19'
	WR23466	1	SS Auger Screw 19 (Includes Items 2, 12 & 13)
	WR35913	1	SS Auger Screw 21' Key Hyd. Motor
12	WR24639	2	Drive Shaft
	WR27876	1	Spline Female
13	47976PF	4	Cap Screw, 3/8" UNC x 2 1/2" Lg (Grade 5)
14	WR10355	1	Roll Pin, 3/16" Dia x 1 1/2" Lg.
15	WR18216	1	2 Hole Flange Bearing, 1 1/4" Bore
16	32921PF	6	Hex Nut, 7/16" - 14 UNC
17	42573PF	4	Hex Nut, 3/8" - 16 UNC
18	WR10420	4	Lockwasher, 3/8" ID
19	AG561904	2	Flat Washer, 7/16" ID
20	WR10311	2	Clevis Pin, 3/8" Dia - 2 1/4" Lg
21	WR10349	2	Hair Pin
22	WR23810	1	Auger Box Insert
24	WR17746	1	Pin
25	WR18222	1	Motor Mount
26	WR18670	1	Dry Pin Plate

## Hydraulic Auger Drive

Item	Part No.	Req'd	Description
1	WR12999	2	90° Elbow, - 12 Male JIC to - 12 Male Straight Thread-Orb
	WR18645		45° Elbow
2	AG08537	10	Split Bushing (New #29200)
3	70923362	5	Center Lock Nut, 5/16" - 18 UNC
4	AG608535	5	Tube Clamp (New #29199-Plate, #29200-Clamp)
5	WR18267	5	Hex HD Cap Screw, 5/16" - 18 UNC x 2" Lg (Grade 5)
6	61770	1	Key, 5/16" x 5/16" Keystock x 1 1/2" Lg
7	WR11627	1	Coupling Sleeve, 1 1/4" Bore (11628 1" Coupling)
8	32923PF	2	Hex Nut, 1/2" - 13 NC
9	WR23823	1	Hydraulic Motor
	WR27882		Splined Motor
	554783		Seal Kit for Part Number 23823 (not shown)
10	AG550817	2	Hex HD Cap Screw, 1/2" - 13 UNC x 1 1/2" Lg (Grade 5)
11	WR21829	2	Hydraulic Hose Assy., - 12 Male JIC to - 12 Female, 37" JIC Swivel x 30" Lg
12	WR18221	2	Hydraulic Tube Assembly 16' (22677-19')
	WR18221		1600 21' Auger
	WR35611		1600 19' Auger
13	WR10422	2	Lock washer, 1/2" ID



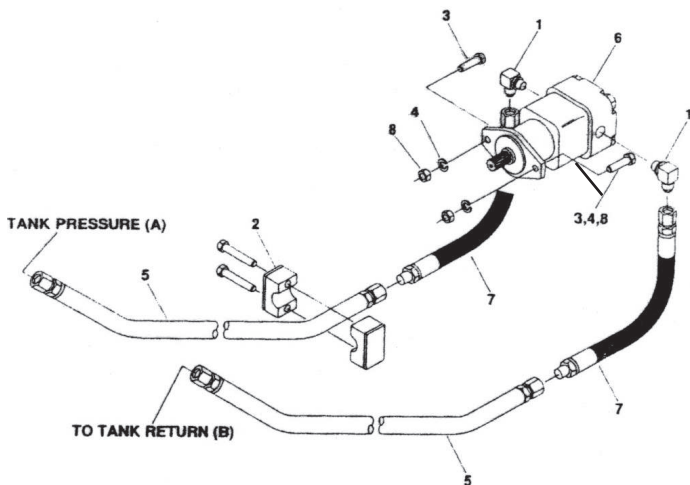
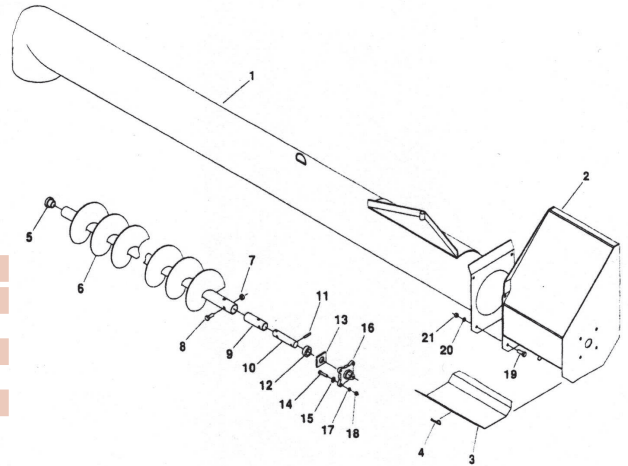
## 10" Rear Auger Assemblies Complete

Part No.	Description	Model Used	Drive
507472D1	10" x 19" Stainless	LR8/10 - 8 & 10 Ton	Hydraulic

# Willmar Tender Auger Parts Breakdown

## Side Discharge Auger Group

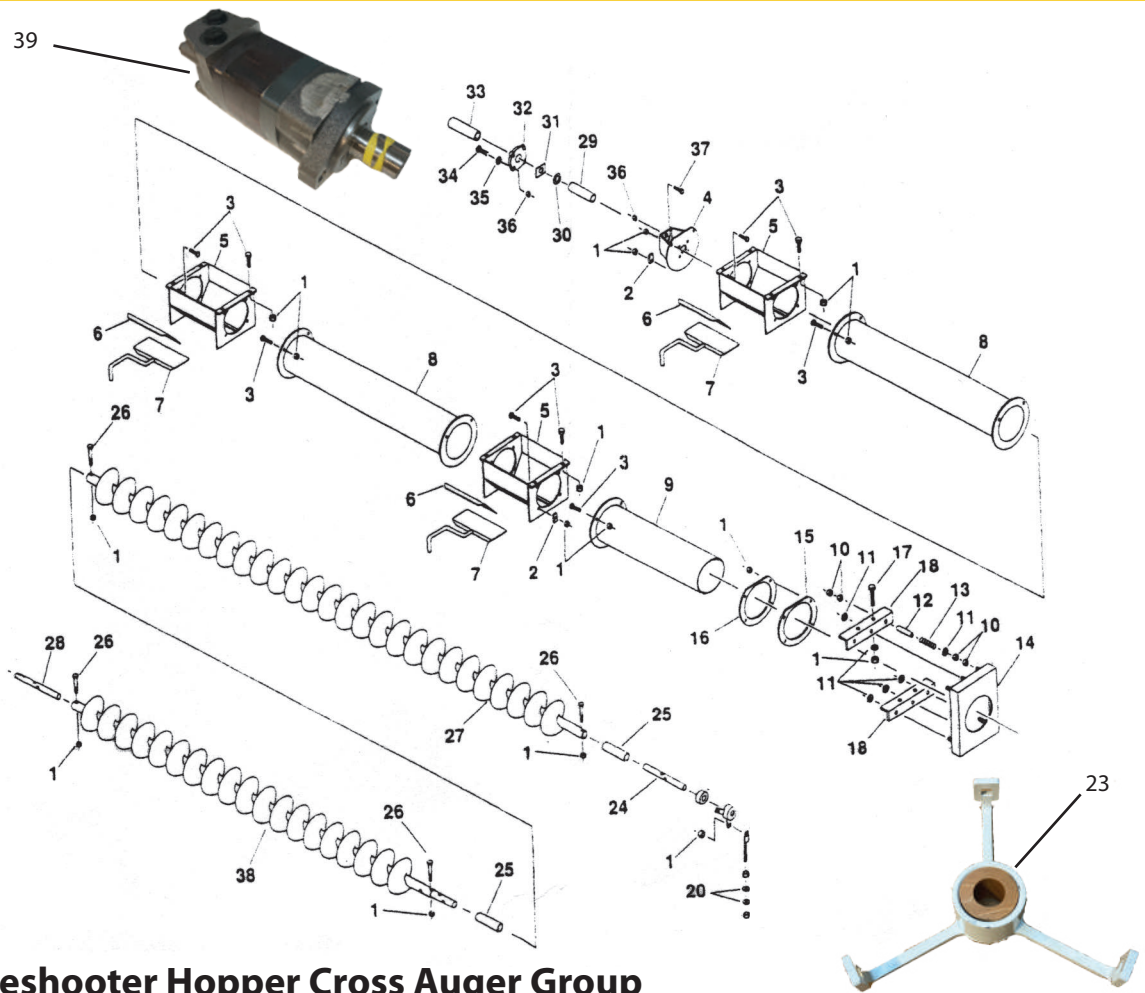
Item	Part No.	Req'd	Description
1	WR27879	1	AUGER TUBE WLDMT - 10" SS x 17'
	AG128439		Auger Tube 20'
2	WR27877	1	DISCHARGE BOX WLDMT
3	WR27224	1	GATE - CLEAN OUT, DISCHARGE
4	WR10349	1	PIN - HAIR, 1/8" x 2 1/2" LG
5	WR27876	1	COUPLER - SFT, MOD 1.25B x 14T
6	WR27881	1	AUGER SCREW - 10" x 17 FT, LH SS (INCLUDES ITEMS 5, 7-11)
	AG128447		Screw 20'
7	WR11513	2	NUT - CENTER LOCK, 3/8" - 16 UNC
8	47976PF	2	SCREW - HEX HD CAP, 3/8" - 16 UNC x 2 1/2" LG (GRADE 5)
9	WR24637	1	BUSHING - AUGER SCREW, 1 3/4" OD
10	WR27873	1	DRIVE SHAFT
11	WR10355	1	PIN - ROLL, 3/16" DIA x 1 1/2" LG'
12	WR10433	1	BUSHING - MACHINE, 1 1/4" ID
13	WR17734	1	SPACER - RYERTEX
14	AG559989	4	SCREW - HEX HD CAP, 7/16" - 14 UNC x 1 1/4" LG (GRADE 5)
15	AG561904	4	WASHER - FLAT, 7/16" ID
16	WR10649	1	BEARING - FLANGE, 4-HOLE, 1 1/4" UNC
17	AG550558	4	WASHER - LOCK, 7/16" ID
18	32921PF	4	NUT - HEX, 7/16" - 14 UNC
19	WR10138	4	SCREW - HEX HD CAP, 3/8" - 16 NC x 1" LG (GRADE 5)
20	WR10420	4	WASHER - LOCK, 3/8" ID
21	WR11508	4	NUT - HEX, 3/8" - 16 UNC
	WR27880	4	HYDRAULIC AUGER ASSEMBLY 16- and 24-TON - 17'



## Hydraulic Auger Drive Group (Side)

Item	Part No.	Req'd	Description
1	WR12999	2	ELBOW - 90-DEGREES - 12 MALE JIC TO - 12 MALE STRAIGHT THREAD ORB
2	WR11274	6	CLAMP - TUBE, 3/4" OD
	AG608537	10	CLAMP 1600
	AG608535	5	COVER PLATE 1600
3	AG550817	2	SCREW - HEX HD CAP, 1/2" - 13 UNC x 1 1/2" LG (GRADE 5)
4	WR10422	2	WASHER - LOCK, 1/2" ID
5	WR27932	2	TUBE ASSEMBLY - HYDRAULIC AUGER 17'
	AG128443		TUBE ASSEMBLY 20'
6	WR27882	1	MOTOR - HYDRAULIC
	554783		KIT - SEAL, FOR PART NUMBER WR27882 (NOT SHOWN)
7	WR27979	2	HOSE ASSEMBLY - HYDRAULIC - 12 FEMALE 37-DEGREE JIC SWIVEL TO - 12 MALE JIC - 12R2 HOSE x 21" LGE
8	32923PF	2	NUT - HEX, 1/2" - 13 UNC
9	524598D1	1	Rubber Washer/Motor Seal

# Willmar Tender Auger Parts Breakdown



## 16- & 24-Ton Sideshooter Hopper Cross Auger Group

Item	Part No.	Req'd	Description
1	10163	A/R	NUT - CENTER LOCK, 3/8" - 16 UNC'
2	WR26937	12	TAB
3	WR10137	A/R	SCREW - HEX HD CAP, 3/8" - 16 UNC x 3/4" LG (GRADE 5)
4	WR26947	1	SUPPORT WLDMT - HYDRAULIC MOTOR
5	WR27079	A/R	AUGER BOX WLDMT - TWIN HOPPER
6	WR26943	A/R	GATE - CLEAN OUT SIDE
7	WR27363	A/R	GATE WLDMT - CLEAN OUT, BOTTOM
8	WR27199	A/R	TUBE WLDMT - AUGER, CENTER
9	WR27209	1	TUBE WLDMT - AUGER, REAR
10	42573PF	24	NUT - HEX, 3/8" - 16 UNC
11	30289PF	10	WASHER - FLAT, 3/8" ID
12	WR27232	6	SPACER - PIPE
13	WR20537	6	SPRING
14	WR27237	1	SEAL PLATE WLDMT - DISCHARGE
15	WR27233	1	RING - AUGER, RUBBER
16	WR27234	1	RING - AUGER, STAINLESS STEEL
17	WR10138	4	SCREW - HEX HD CAP, 3/8" - 16 UNC x 1" LG (GRADE 5)
18	WR27235	2	MOUNT - SEALING PLATE
19	WR11509	6	NUT - HEX, 3/8" - 16 UNC SS

Item	Part No.	Req'd	Description
20	WR10416	6	WASHER - FLAT, 3/8" ID SS
21	WR10202	3	SCREW - HEX HD CAP, 3/8" 16 UNC x 1 1/2" LG SS
23	521598D1	1	HOUSING - AUGER WITH WOOD BUSHING
24	WR27525	1	SHAFT - AUGER WITH HOLES, SS
25	WR27524	A/R	BUSHING - AUGER SCREW
26	47976PF	8	SCREW - HEX HD CAP, 3/8" - 16 UNC x 2 1/2" LG (GRADE 8)
27	WR27464	1	AUGER SCREW, SS 16 AND 24 TON
28	WR24639	1	SHAFT - AUGER DRIVE WITH HOLES
29	WR27945	1	CONNECTING WLDMT - AUGER SCREW
30	WR10433	1	BUSHING - MACHINE, 1 1/4" ID x 18 GA
31	WR17734	1	SPACER - RYERTEX
32	WR10649	1	BEARING - FLANGE, 4-HOLE, 1 1/4" BORE
33	WR11627	1	COUPLING - SLEEVE
34	WR10157	4	SCREW - HEX HD CAP, 1/2" - 13 UNC x 1 1/4" LG (GRADE 5)
35	70924919	4	WASHER - FLAT, 1/2" ID
36	70926946	6	NUT - CENTER LOCK, 1/2" - 13 UNC
37	AG550817	2	SCREW - HEX HD CAP, 1/2" - 13 UNC x 1 1/2" LG (GRADE 5)
38	WR27969	1	AUGER SCREW - 10" x 8' LH SS
39	WR27475		HYD. MOTOR

# Misc. Spreader Parts

## Power Take Off Shafts

Part No.	Description
WR22001	PTO Assy. - 540 RPM
WR22709	PTO Assy. - 540 Tractor Half
WR21997	Shield Assy. - TH/SH Complete Weasler
837739M91	Bearing Kit - 540 Weasler - G&G
WR22000	PTO Assy. - 540/1000 RPM
WR21998	Shield Assy. - 540/1000
WR30448	Retainer Kit - Weasler - 2 Required
21999W	Shield Assy. - TH/SH G&G



## Pulleys

Part No.	Size	Spreader
WR10460	6" x 1" Sheave	Willmar-Tyler
WR10454	8" x 1" Sheave	Willmar-Tyler
WR10450	3" x 1" Sheave	Willmar
WR10464	6 1/2" x 5/8" V-Idler	Willmar-Tyler
WR10461	4 1/2" x 5/8" Flat Idler	Willmar
WR20007	4" x 3/8" Sheave	Willmar
WR136376	5" Sheave	Willmar

## Spreader Belts

Part No.	Size	Spreader
WR10487	BB112	Willmar, 40'
WR38791	BB108	Willmar, 50'



## Pillow Block Bearing

Part No.	Size
WR10636	Willmar - 1" - Tyler
WR20175	Willmar - 1 1/4"
WR10639	Willmar - 1"

## Take-Up Flange Bearing

Part No.	Size
WR10652	Willmar - 1"



## Two-Hole Flange Bearing

Part No.	Size
WR18216	Willmar - 1 1/4"
WR10644	Willmar - 1" - Tyler

## Bearing Insert

Part No.	Size
WR10635	1 1/4" Insert



## Three-Hole Flange Bearing

Part No.	Size
WR10645	Willmar - 1"



## Distributor Blades

Part No.	Description	Spreader
WR15226	Set w/ Bolts	Willmar

Willmar



Willmar

## Four-Hole Flange Bearing

Part No.	Size
WR10648	Willmar - 1"
WR10649	Willmar - 1 1/4"
TT108	Doyle - 1 1/2"



## Sprockets

Part No.	Description
WR12368	13/24T x 1" - #50
WR12363	30/40T x 1" - #50

